

# Exhibit 6030 IFS AFR Acrylic Alcove Bathtub

**Model number:**

105511-000-007-001

**Dimensions:** 59.75" x 30" x 19.5"

**Installation:** Alcove

**Material:** Acrylic

## Standard Features:

- Rectangular shape bathtub in alcove installation
- Above-the-Floor Rough (AFR) or not
- Minimalist look with discreet armrests and textured floor
- Deck for faucet available
- When equipped with a system, the unit comes with an access panel
- Available with an optional pre-installed white linear overflow for non-high rise construction

## Systems:

- Whirlpool
- Combined Whirlpool/Aeroeffect
- Aeroeffect



## Standard Colors:



White



Bone



Biscuit

## Certifications

MAAX products adhere to one or more of the following certifications:



# MAAX

# Exhibit 6030 IFS AFR Acrylic Alcove Bathtub

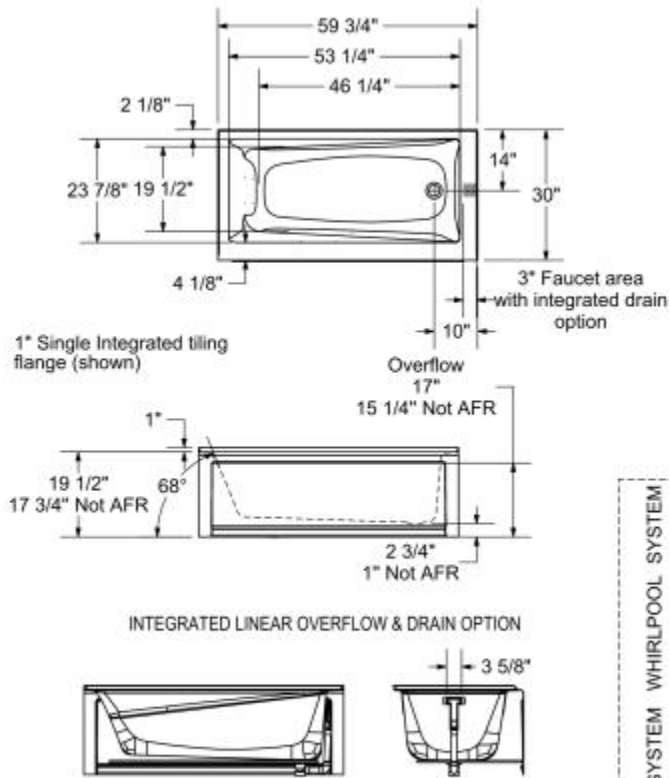
**Model number:**

105511-000-007-001

**Dimensions:** 59.75" x 30" x 19.5"

**Installation:** Alcove

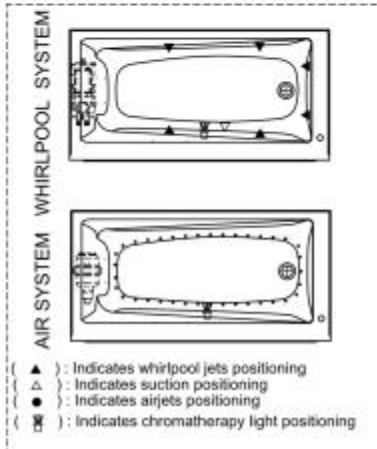
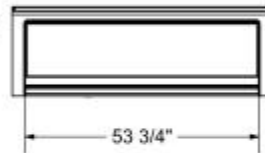
**Material:** Acrylic



WITHOUT SYSTEM



WITH SYSTEM



## Dimensions

59 3/4 x 30 x 19 1/2 In.  
(1518 x 762 x 495 mm)

## Water Capacity

44 gallons - 168 liters

## Weight

77 lbs - 35 kg

## Bathing Well

59 3/4 In. x 24 In.  
(1518 mm x 606 mm)

## Deep Sump Height

16.5 In. - 419 mm

## Deck Width

4.125 In. - 105 mm

## Drain location:

Left

Right

Wood support design may vary.  
Single integrated tiling flange: 1" height x 1/4" thickness (shown)

All dimensions are approximate. Structure measurements must be verified against the unit to ensure proper fit.

Project: \_\_\_\_\_

Contractor: \_\_\_\_\_

Representative: \_\_\_\_\_

Date: \_\_\_\_\_

Tel: \_\_\_\_\_

Notes: \_\_\_\_\_

# MAAX